

Afility Engineering Private Limited (AEPL) is focusing on providing services mainly in *Engineering Procurement Construction (EPC)* for Green as well as Brown field projects. With equal strength a separate division is working on providing **Training and Development** programs to groom young engineering graduates to choose their career path successfully. Similarly, our dedicated team is focusing on understanding the requirements for developing engineering professional to attain their personal and professional growth.

A complete in-depth knowledge together with fundamentals is delivered in our centre to the engineers. Talent development encompasses a variety of components such as training, career development, career management, and organizational development, and training and development.

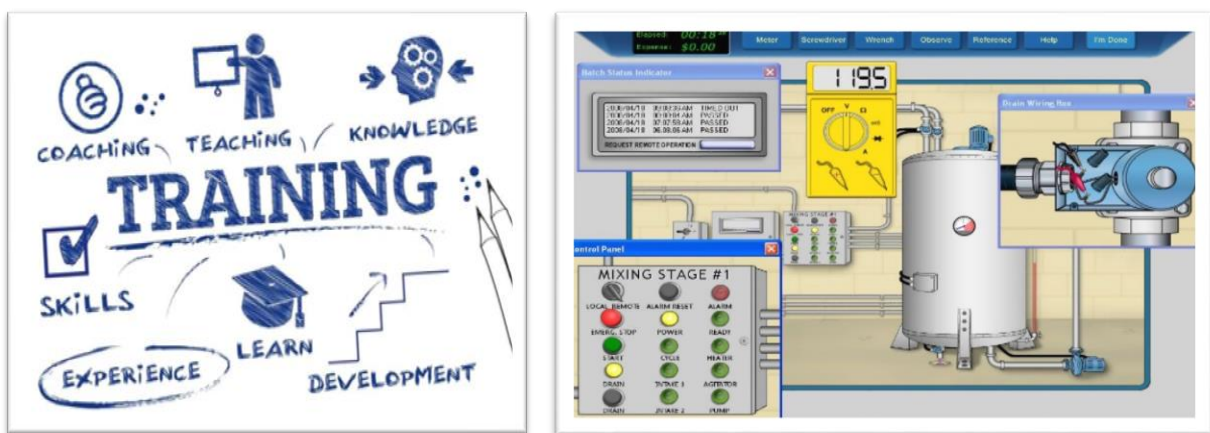


Fig. 1: Training and Development Objective

Training and Development Courses are designed to include – Coaching, Teaching, Knowledge, and Skill Development, Sharing Experience make individual to lean and achieve their targeted development.

- Providing Lectures, Seminars and PPT based on request from Engineering College
- Providing trainings on Instrumentation & Control subject.
- Organizing Industrial Visits, Vendor Shop visit for inspection and testing.

Afility Engineering (AEPL) is committed to provide top class training through specifically designed training and development through following courses to all the professionals.

AETD1: Overview of Instrumentation & Control and Engineering

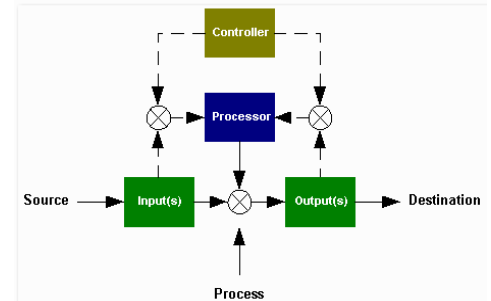
AETD2: Design and Development – Instrumentation & Control Engineering

Additionally, we can design Industrial Training Courses for all the working professionals based on their needs.

Code – AETD1 : Overview of Instrumentation & Control and Engineering

Module -A : Introduction to Instrumentation & Control

- A.1 Basic concepts in Instrumentation & control
- A.2 Definitions & Overview of Flow, Level, Pressure & Temp
- A.3 Primary Measurement
 - Flow Engineering guide
 - Level Engineering Guide
 - Pressure Engineering Guide
 - Temperature Engineering guide
- A.4 Secondary Measurement
- A.5 Final Measurement
- A.6 Control System
 - Programmable Logic Controller (PLC)
 - Supervisory Control and Data Acquisition (SCADA)
 - Distributed Control System

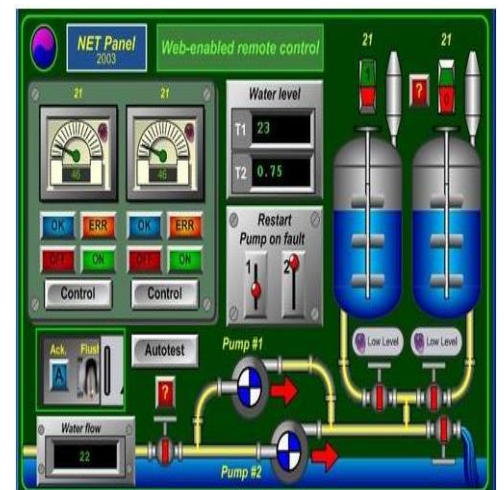


Module -B : Introduction to Engineering

- B.1 Engineering
 - Basic Engineering
 - Front End Design Engineering (FEED)
 - Detail Engineering
- B.2 Instrument Detail Engineering and its requirements
- B.3 Instrument Design deliverables

Module -C: Engineering Study and Case Study Examples

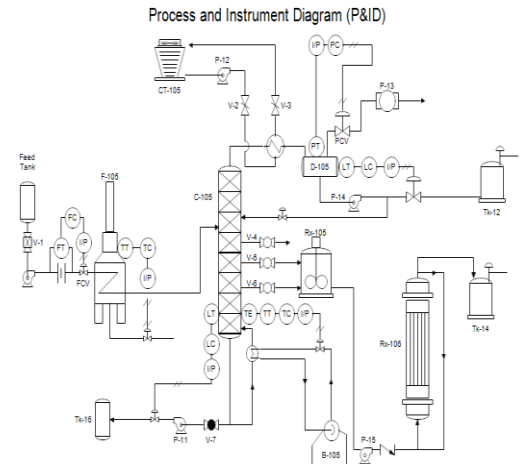
- C.1 Instrument & Control Engineering and Examples
- C.2 Case Studies
- C.3 FAQs
- C.4 Exercises



Code – AETD2: Design and Development – Instrumentation & Control Engineering

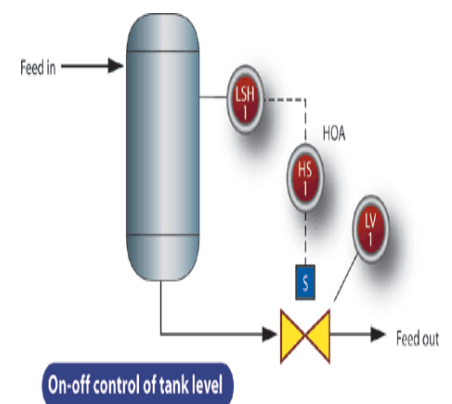
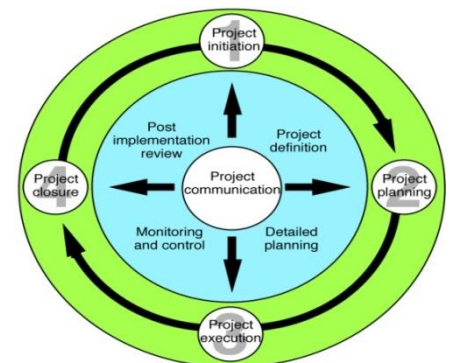
Module -A : Introduction to Instrumentation & Control

- A.1 Basic concepts in Instrumentation & control
- A.2 Definitions & Overview of Flow, Level, Pressure & Temp
- A.3 Primary Measurement
 - Flow Engineering guide
 - Level Engineering Guide
 - Pressure Engineering Guide
 - Temperature Engineering guide
- A.4 Secondary Measurement
- A.5 Final Measurement
- A.6 Control System
 - Programmable Logic Controller (PLC)
 - Supervisory Control and Data Acquisition (SCADA)
 - Distributed Control System



Module -B : Project Management

- B.1 Introduction to Project Management
- B.2 What is meant by Project Work? Project Life Cycle?
- B.3 Feasibility Study
- B.4 Concept of Design (CD) Engineering
- B.5 Front End Design Engineering (FEED)
- B.6 Detail Engineering - Instrumentation & Control
- B.7 Design Deliverables - Instrumentation & Control
- B.8 Detail Engineering - Sample Project
- B.9 Lesson Learned
- B.10 Project Closeout Report



Module -C: Examples - Engineering Study and Case Study

- C.1 Extended Training of Detail Engineering will be given on request.
- C.2 Industrial Visits - Vendor Shops / Manufacturing Units

Afility Engineering (AEPL) follows engineering principles, professional approach, and philosophy makes us the first choice in the market.

Further AEPL has design some of the Development Plan and Scheme under AEPL Membership to benefit engineering graduates to choose their career paths.

➤ **Development Plan and Scheme**

Considering present market scenario with more challenges and competition one should be able to understand those challenges, requirement and work on those to achieve better career prospects.

AEPL have introduced following membership terms as development plan and scheme for fresh graduate engineer.

A) Associate Membership (AM)

This membership is introduced keeping the market importance in mind and develop the program accordingly to provide following:

- Final Year Project Guidance
- Career Counselling
- Consultancy Briefing
- Market Updates

Afility Engineering Pvt. Ltd (AEPL) (Training and Development Division)	
Associate Membership (AM) Card	
AEPL/AM : _____	
Name : _____	
DOB : _____ Reg. Date : _____	
Valid Upto: _____ For AEPL : _____	

B) Fellow Membership (FM)

This membership is introduced keeping the professional development and concept of earning while learning to provide following:

- Final Year Project Guidance
- Career Counselling
- Consultancy Briefing
- Market Updates
- Assistance ship in IES Services
- Placement Assistance subject to availability

Afility Engineering Pvt. Ltd (AEPL) (Training and Development Division)	
Fellow Membership (FM) Card	
AEPL/FM : _____	
Name : _____	
DOB : _____ Reg. Date : _____	
Valid Upto: _____ For AEPL : _____	

-----++-----
Contact Details:

Office Address:
Afility Engineering Pvt. Ltd.
Office No S-112, IIInd Floor
Haware Fantasia Business Park,
Plot No-47, Sector 30A,
Vashi, Navi Mumbai-400703.

Contact Person: Mr. Mayur Badgujar,
Phone: +91 9769108043
E-mail: mayurb@afilityengineering.com
info@afilityengineering.com
Website: www.afilityengineering.com